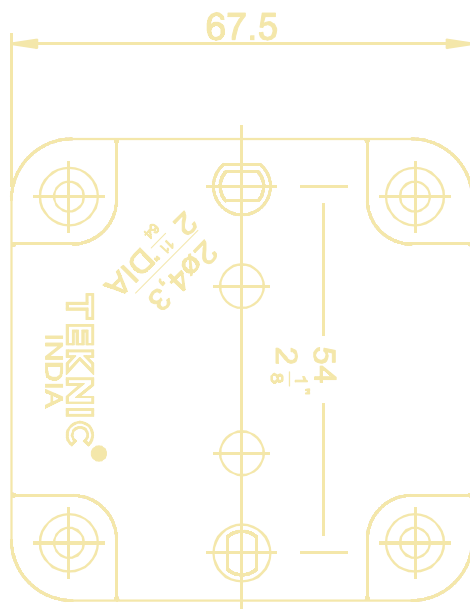
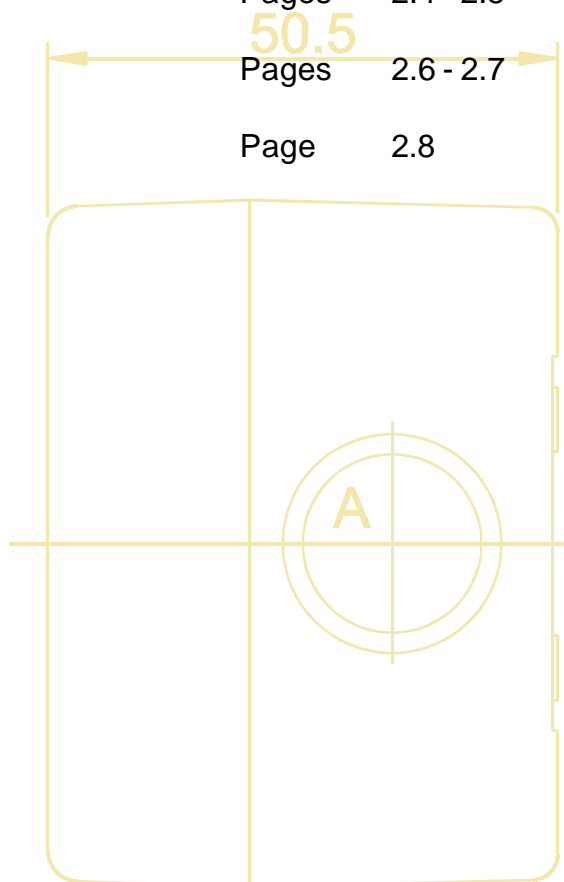


CONTROL STATIONS

TEKNIC

CONTENTS

Characteristics	Page	2.1
Plastic Series 22.5 Ø	Pages	2.2 - 2.3
Cast Aluminium Series 22.5 Ø	Pages	2.4 - 2.5
Cast Aluminium Series 30.5 Ø	Pages	2.6 - 2.7
Assembled Control Station	Page	2.8



Characteristics of Control Stations

Ambient air temperature	Storage	-40...+70
	Operation	-25... + 70
Degree of Protection		IP65
Conforming to Standards		IEC 947-5-1
Material and Colours	Plastic	Polyester, white(top) and black(bottom) yellow(top) and black(bottom)
	Metalic	Cast Aluminum, synthetic enamel paint Silver Hammertone(top) and Black Hammertone(bottom) Grey RAL 7032(top & Bottom) Opal Green IS275(top & bottom)
Cable Entries	Plastic	"knock-outs" for no.13 cable glands(PG13.5)
	Metalic	tapped hole suitable for PG13 cable glands, 3/4" tapped.

PLASTIC SERIES - ONE WAY STATION

Material :EngineeringThermoplastic

Chemical Resistance :Excellent resistance to aliphatic hydrocarbons,petrol, oils and greases, dilute acids and bases, detergents and most acqueous salt solution at ambient temperature.

Flame Retardancy : V-0 as per UL 94 standard.

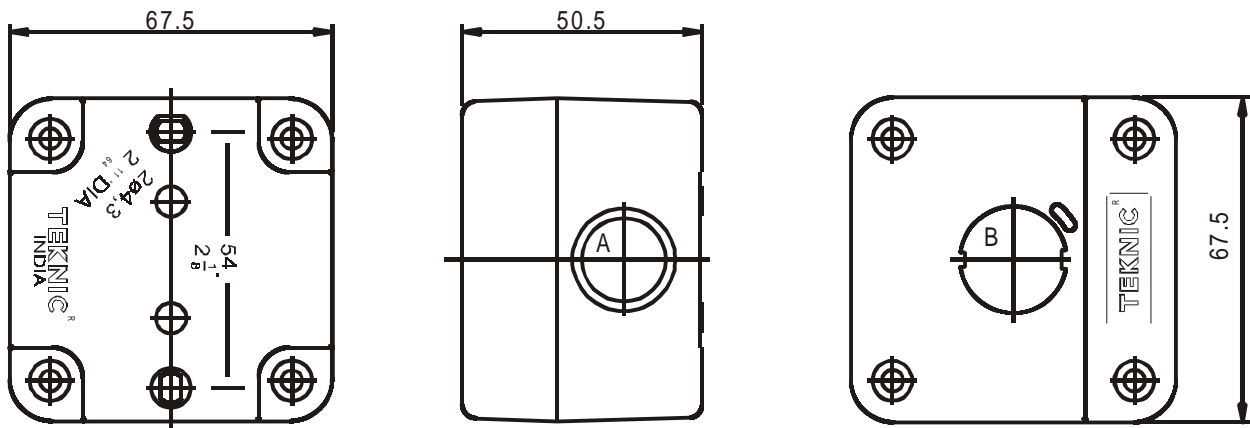
Mechanical Strength : As per ISO R527 test

1. At 23°C - 7.5 kpsi
2. At 93°C - 4.5 kpsi

Mechanical Toughness: As per ISO R180 test

1. Izod impact strength at 23°C - 0.95 ft.lb/in.
2. Unnotched strength at 23°C - 9.5 ft.lb/in.

Long term Stability : Very low rate of thermal aging illustrated by its continous use tempera-
ture according to UL.



A - Cut out provision for Cable (4No's)

B - Cut out for ø22.5 Switch

COLOUR

Top : White
Bottom : Black

ORDERING CODE

3 001 Q 11

Top : Yellow
Bottom : Black

3 001 Q 10

PLASTIC SERIES - TWO WAY STATION

Material :EngineeringThermoplastic

Chemical Resistance :Excellent resistance to aliphatic hydrocarbons,petrol, oils and greases, dilute acids and bases, detergents and most acqueous salt solution at ambient temperature.

Flame Retardancy : V-0 as per UL 94 standard.

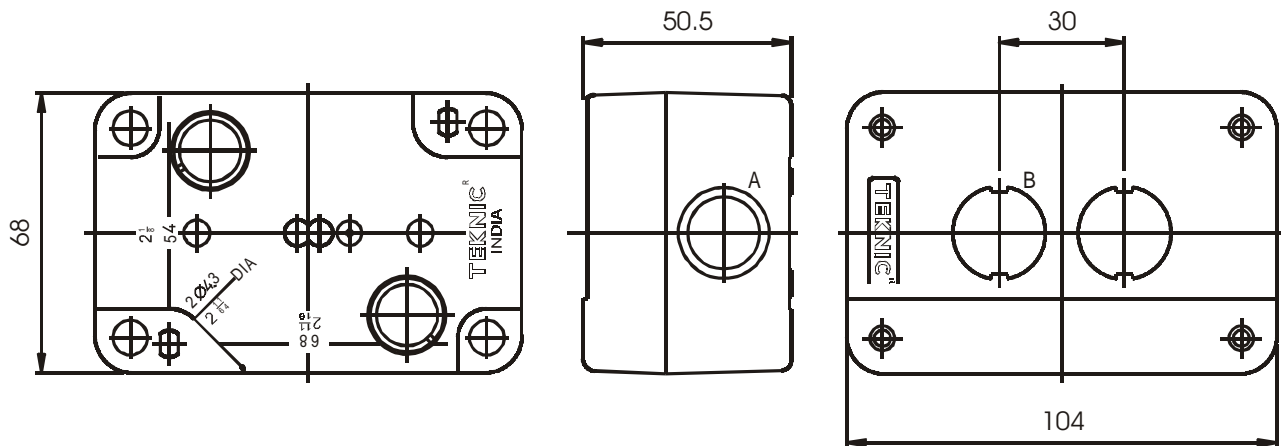
Mechanical Strength : As per ISO R527 test

1. At 23°C - 7.5 kpsi
2. At 93°C - 4.5 kpsi

Mechanical Toughness: As per ISO R180 test

1. Izod impact strength at 23°C - 0.95 ft.lb/in.
2. Unnotched strength at 23°C - 9.5 ft.lb/in.

Long term Stability : Very low rate of thermal aging illustrated by its continous use tempera-
ture according to UL.



A - Cut out provision for Cable (6No's)

B - Cut out for $\varnothing 22.5$ Switch (2 No's)

COLOUR

Top : White
Bottom : Black

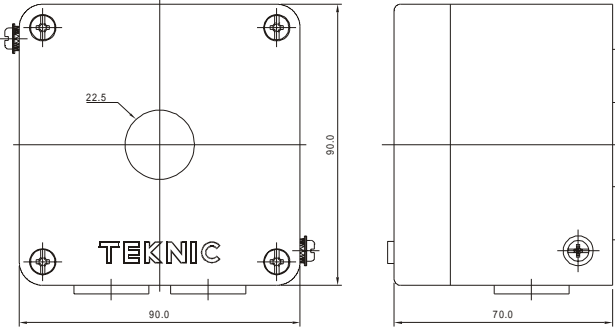
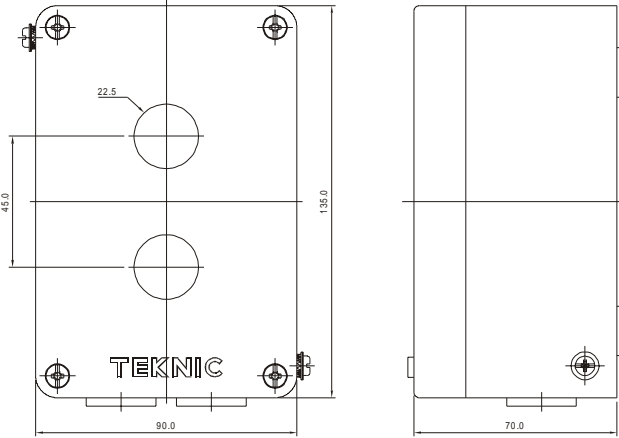
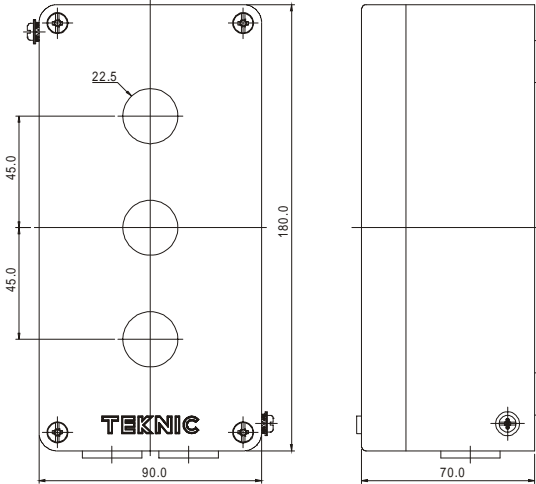
ORDERING CODE

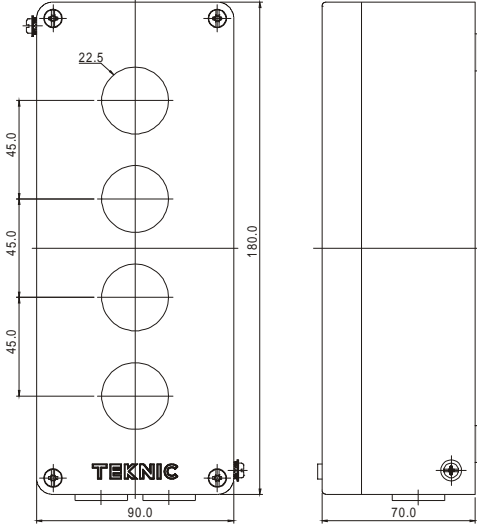
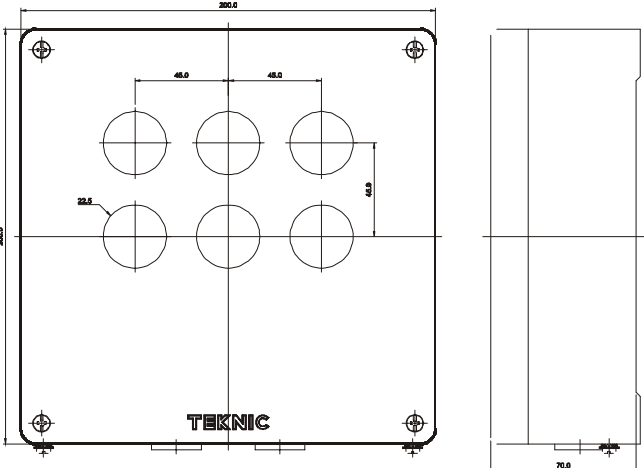
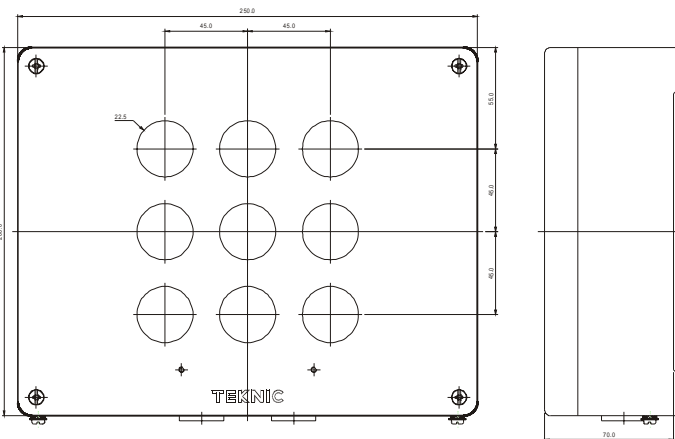
3 001 R 11

Top : Yellow
Bottom : Black

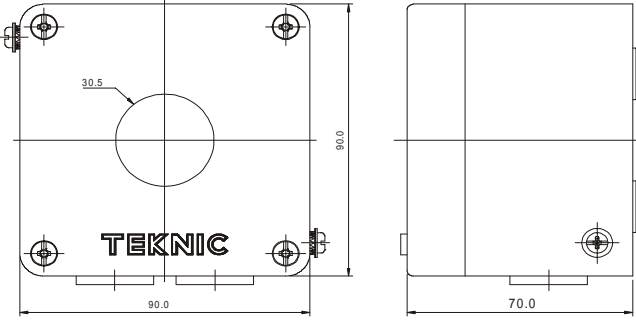
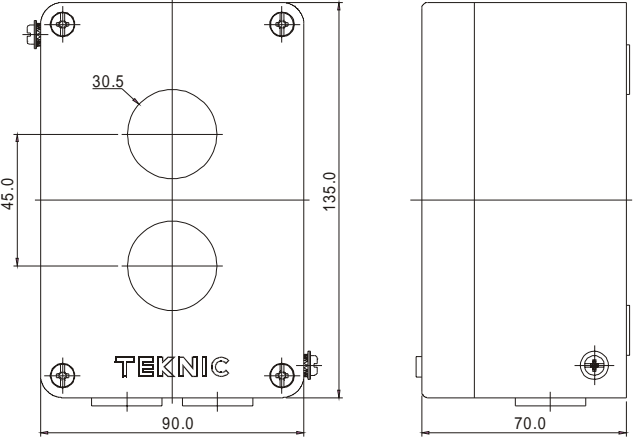
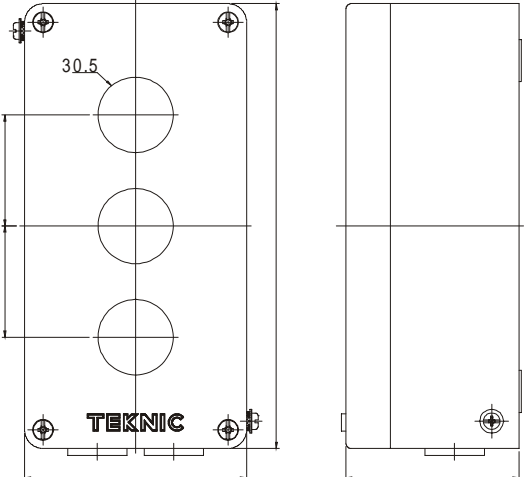
3 001 R 10

CAST ALUMINIUM SERIES

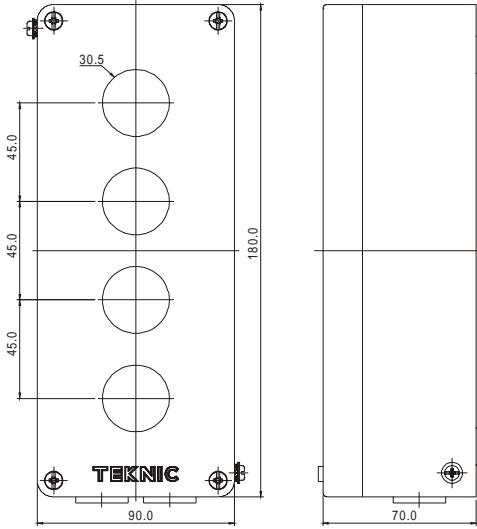
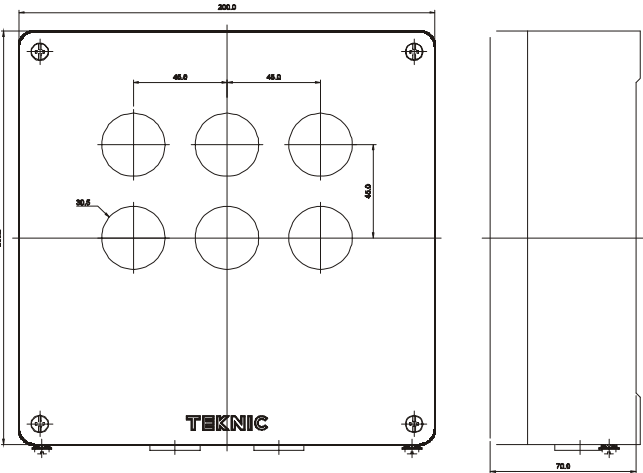
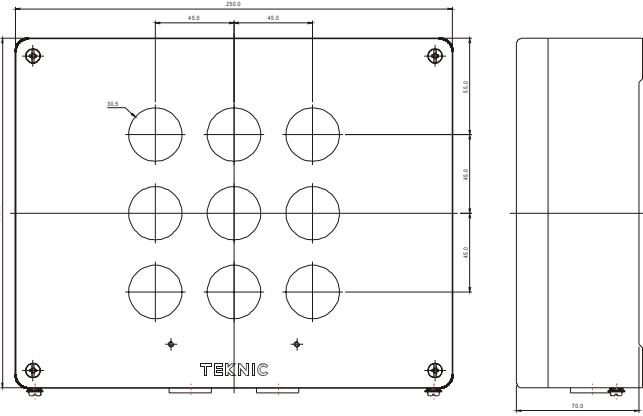
TYPE	COLOUR	ORDERING CODE
<p data-bbox="215 302 834 331">ONE WAY CONTROL STATION ENCLOSURE</p> 	<p data-bbox="922 302 1098 331">Hammertone</p>	<p data-bbox="1222 302 1374 331">2 001 A 01</p>
<p data-bbox="199 902 823 931">TWO WAY CONTROL STATION ENCLOSURE</p> 	<p data-bbox="922 902 1098 931">Hammertone</p>	<p data-bbox="1222 902 1374 931">2 002 C 01</p>
<p data-bbox="276 1487 746 1552">THREE WAY CONTROL STATION ENCLOSURE</p> 	<p data-bbox="922 1520 1098 1550">Hammertone</p>	<p data-bbox="1222 1520 1382 1550">2 003 E 01</p>

TYPE	COLOUR	ORDERING CODE
<p style="text-align: center;">FOUR WAY CONTROL STATION ENCLOSURE</p> 	<p style="text-align: center;">Hammertone</p>	<p style="text-align: center;">2 002 G 01</p>
<p style="text-align: center;">SIX WAY CONTROL STATION ENCLOSURE</p> 	<p style="text-align: center;">Hammertone</p>	<p style="text-align: center;">2 004 I 01</p>
<p style="text-align: center;">NINE WAY CONTROL STATION ENCLOSURE</p> 	<p style="text-align: center;">Hammertone</p>	<p style="text-align: center;">2 005 L 01</p>

CAST ALUMINIUM SERIES

TYPE	COLOUR	ORDERING CODE
<p data-bbox="204 338 820 367">ONE WAY CONTROL STATION ENCLOSURE</p> 	<p data-bbox="932 304 1102 333">Hammertone</p>	<p data-bbox="1206 304 1353 333">1 001 A 01</p>
<p data-bbox="204 943 820 972">TWO WAY CONTROL STATION ENCLOSURE</p> 	<p data-bbox="932 943 1102 972">Hammertone</p>	<p data-bbox="1206 943 1353 972">1 002 C 01</p>
<p data-bbox="277 1509 746 1570">THREE WAY CONTROL STATION ENCLOSURE</p> 	<p data-bbox="932 1543 1102 1572">Hammertone</p>	<p data-bbox="1206 1543 1353 1572">1 003 E 01</p>

CAST ALUMINIUM SERIES

TYPE	COLOUR	ORDERING CODE
<p style="text-align: center;">FOUR WAY CONTROL STATION ENCLOSURE</p> 	<p style="text-align: center;">Hammerstone</p>	<p style="text-align: center;">1 002 G 01</p>
<p style="text-align: center;">SIX WAY CONTROL STATION ENCLOSURE</p> 	<p style="text-align: center;">Hammerstone</p>	<p style="text-align: center;">1 003 I 01</p>
<p style="text-align: center;">NINE WAY CONTROL STATION ENCLOSURE</p> 	<p style="text-align: center;">Hammerstone</p>	<p style="text-align: center;">1 004 L 01</p>

Control Stations 22.5 Ø

Teknic also supplies Control Stations with assembly and wiring.

